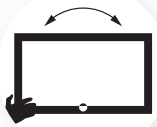
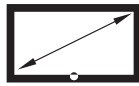


## YOU'LL LOVE THIS MOUNT



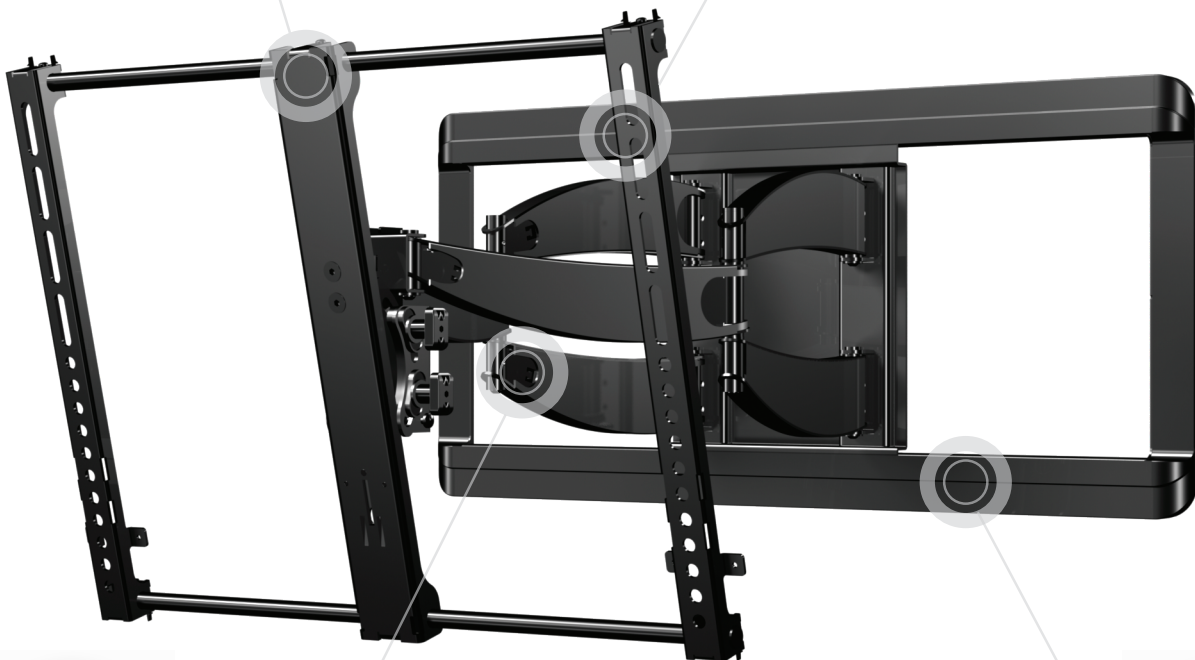
Adjust your TV easily: tilt, swivel, extend and level



Universal TV interface fits 46 - 90" TVs



Fingertip tilt allows for easy adjustments without tools



Conceal unsightly cables



6-arm design for extra stability and TVs up to 90"



Slide TV side-to-side for perfect positioning on the wall

## FULL-MOTION | VLF628

Installation and Feature Videos Available Online

FITS **46" - 90"** TVs  
HOLDS TVS UP TO 68 KG.

WALL DISTANCE 8.2 - 71 cm  
SWIVEL +90° / -90°  
TILT +5° / -15°

> MAXIMUM FLEXIBILITY  
> EASY 1, 2, 3 INSTALLATION  
> SAFE AND SECURE

### MOUNTING PATTERN

75x75	100x100	200x100	200x200	300x200	400x200	300x300	400x300	400x400	600x400	700x400	800x400	800x500	Random
			✓	✓	✓	✓	✓	✓	✓				